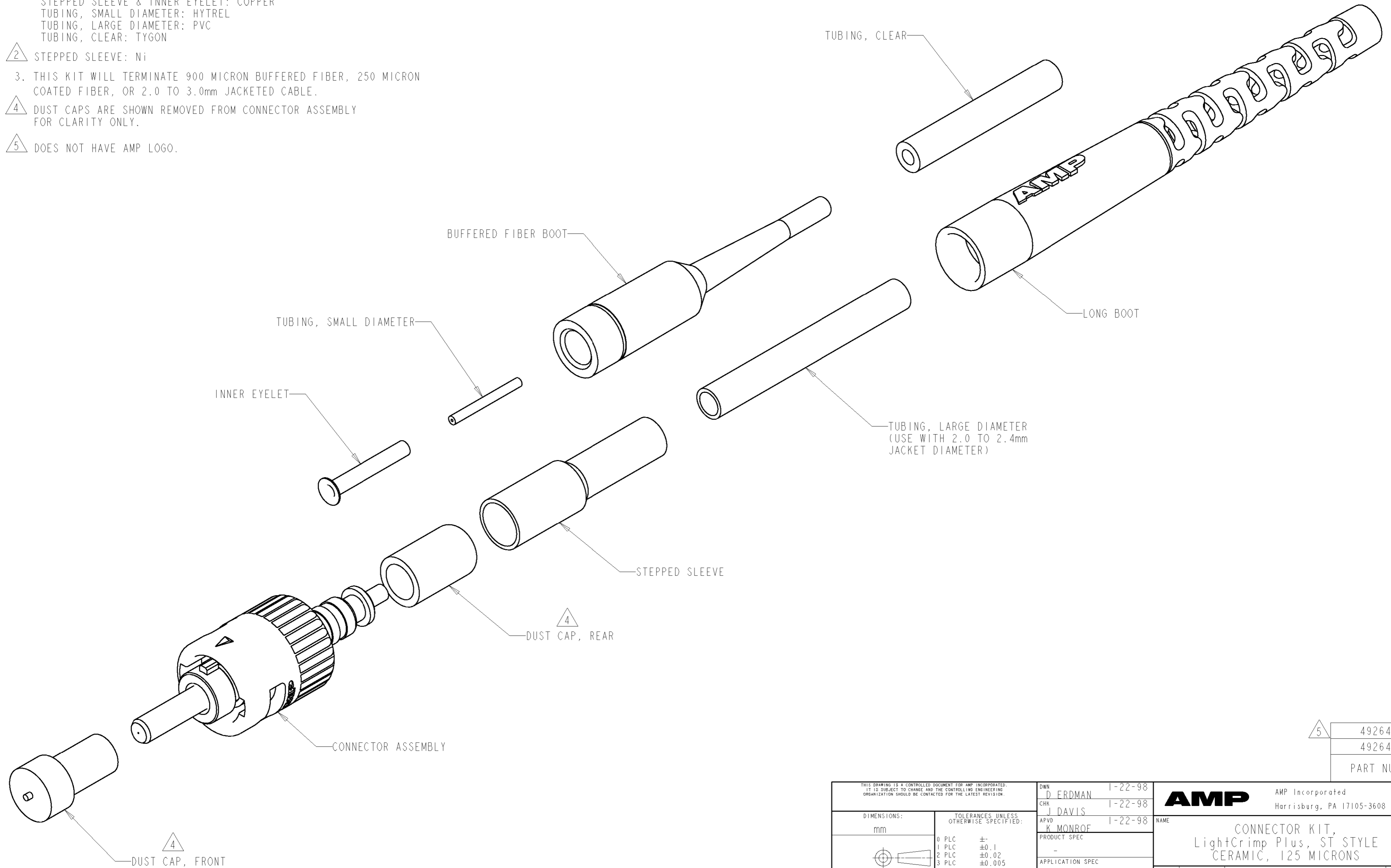


THIS DRAWING IS UNPUBLISHED. RELEASED FOR PUBLICATION .19
 BY AMP INCORPORATED. ALL RIGHTS RESERVED.

LOC	DIST	REVISIONS			
P	LTR	DESCRIPTION	DATE	DWN	APVD
CE	16	D	REVISED PER 0A00-0465-02	10JUL2002	TA BE

- 1 CONNECTOR ASSY: BODY AL, FERRULE CERAMIC
 BOOTS: THERMOPLASTIC ELASTOMER
 STEPPED SLEEVE & INNER EYELET: COPPER
 TUBING, SMALL DIAMETER: HYTREL
 TUBING, LARGE DIAMETER: PVC
 TUBING, CLEAR: TYGON
- 2 STEPPED SLEEVE: NI
- 3. THIS KIT WILL TERMINATE 900 MICRON BUFFERED FIBER, 250 MICRON COATED FIBER, OR 2.0 TO 3.0mm JACKETED CABLE.
- 4 DUST CAPS ARE SHOWN REMOVED FROM CONNECTOR ASSEMBLY FOR CLARITY ONLY.
- 5 DOES NOT HAVE AMP LOGO.



5	492642-2
	492642-1
PART NUMBER	

<small>THIS DRAWING IS A CONTROLLED DOCUMENT FOR AMP INCORPORATED. IT IS SUBJECT TO CHANGE AND THE CONTROLLING ENGINEERING ORGANIZATION SHOULD BE CONTACTED FOR THE LATEST REVISION.</small>		DWN D. ERDMAN 1-22-98 CHK J. DAVIS 1-22-98 APVD K. MONROE 1-22-98	AMP AMP Incorporated Harrisburg, PA 17105-3608
DIMENSIONS: mm 	TOLERANCES UNLESS OTHERWISE SPECIFIED: 0 PLC ± 1 PLC ±0.1 2 PLC ±0.02 3 PLC ±0.005 4 PLC ±0.0005 ANGLES ± FINISH	PRODUCT SPEC APPLICATION SPEC WEIGHT	NAME CONNECTOR KIT, LightCrimp Plus, ST STYLE CERAMIC, 125 MICRONS
MATERIAL 	FINISH 	CUSTOMER DRAWING	SIZE A2 CAGE CODE 00779 DRAWING NO. C-492642 RESTRICTED TO SCALE 4:1 SHEET 1 OF 1 REV D